

# Diaphragm Seal Solutions



Replaceable  
Bolted  
Flow-Through Annular Style

Non-Replaceable  
Non-Metallic  
Sanitary  
Front Flush  
Bolted

Accessories

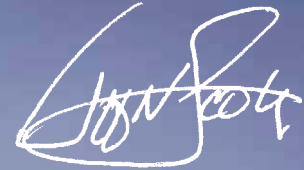


**A**t NOSHOK, we pride ourselves on being innovators in the industry by continually offering the latest technology and measurement solutions, and providing the best customer support in the marketplace.

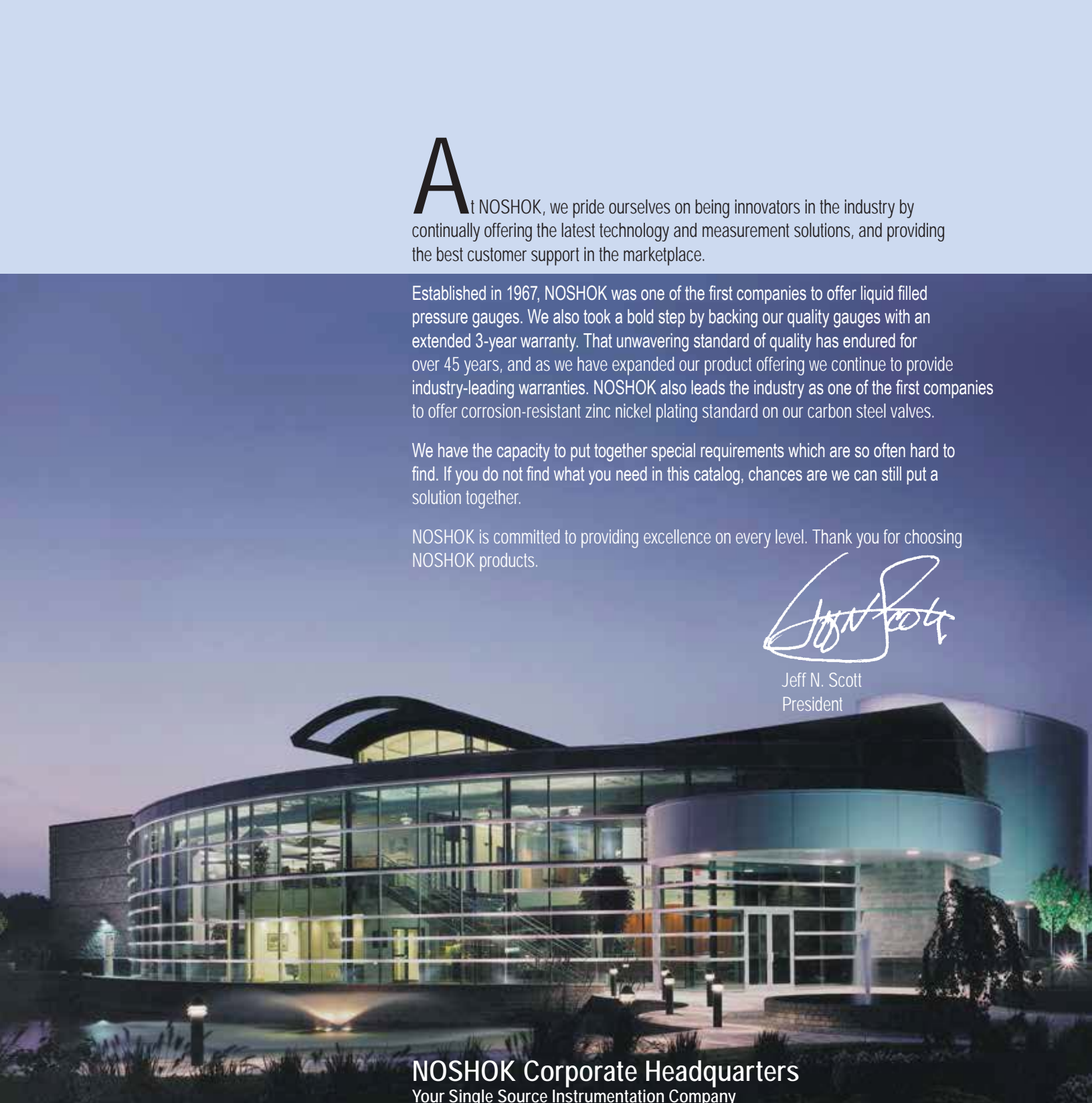
Established in 1967, NOSHOK was one of the first companies to offer liquid filled pressure gauges. We also took a bold step by backing our quality gauges with an extended 3-year warranty. That unwavering standard of quality has endured for over 45 years, and as we have expanded our product offering we continue to provide industry-leading warranties. NOSHOK also leads the industry as one of the first companies to offer corrosion-resistant zinc nickel plating standard on our carbon steel valves.

We have the capacity to put together special requirements which are so often hard to find. If you do not find what you need in this catalog, chances are we can still put a solution together.

NOSHOK is committed to providing excellence on every level. Thank you for choosing NOSHOK products.



Jeff N. Scott  
President



**NOSHOK Corporate Headquarters**  
Your Single Source Instrumentation Company

**NOSHOK is a member and actively supports:**



NOSHOK is an ISO 9001:2008 registered company.

# WARRANTY INFORMATION

NOSHOK's **One Year Warranty** applies to all NOSHOK diaphragm seals, and all options & accessories listed in this catalog.

**NOSHOK guarantees all products** to be free from defects in material and workmanship and to operate within the catalogued performance specifications. These products must be operated within the catalogued environmental and application parameters. Determination of failure will be made by NOSHOK, Inc.'s equipment and personnel or a certified test facility specializing in this type of evaluation. Diaphragm seal failures determined to be caused by over-range, incompatibility with environment or product media and abuse will not be considered under this warranty. NOSHOK, Inc. will, at its discretion, repair or replace the working parts of the damaged diaphragm seal without cost to the customer.

## T A B L E O F C O N T E N T S



### REPLACEABLE DIAPHRAGM

<b>Standard &amp; Elevated Pressure, Bolted:</b>	
TYPE 10/10H .....	4-5
<b>Reduced Pressure, Non-Metallic Lower, Bolted:</b>	
TYPE 10L.....	6-7
<b>Flow-Through Annular Style:</b>	
TYPE 40.....	8-9

### NON-REPLACEABLE DIAPHRAGM

<b>All Non-Metallic:</b>	
TYPE 5.....	10-11
<b>Sanitary, Clamped-Style, ASME-BPE:</b>	
TYPE 12.....	12-13
<b>Front Flush:</b>	
TYPE 20.....	14-15
<b>Standard &amp; Elevated Pressure:</b>	
TYPE 25/25H.....	16-17
<b>High Volumetric Displacement:</b>	
TYPE 29.....	18-19
<b>Standard &amp; Elevated Pressure, Bolted:</b>	
TYPE 30/30H.....	20-21
<b>Reduced Pressure, Non-Metallic Lower, Bolted:</b>	
TYPE 30L.....	22-23

### ACCESSORIES

Plain and Armored Capillaries, Cooling Element, Sanitary Clamps and Gaskets.....	24
Reference Information .....	25-26

# Standard & Elevated Pressure, Bolted

## TYPE 10/10H



- Designed to isolate the pressure measuring instrument from high temperatures, or corrosive or viscous process media
- Can be used for remote mounting of pressure instrument(s) with capillary
- Utilizes a replaceable diaphragm clamped between the flanged metal housings with an o-ring seal to create a leak-free union
- Process connection sizes from 1/4 "NPT through 1-1/2 "NPT
- Flushing port connection is an available option that allows the wetted areas of the seal to be cleaned, or the process vented without removing the unit from the line
- Consider instrument size, pressure range, media composition, ambient and operating temperature, and maximum working pressure when selecting
- Capillaries and cooling elements are available for elevated process temperatures, see page 24
- Fill fluid must be compatible with process media; i.e. Glycerine may become volatile in conjunction with a strong oxidizing agent such as chlorine, forms of oxygen or peroxide and nitric acids

### APPLICATIONS

- Water and wastewater
- Oil and gas
- Petrochemical
- Chemical processing
- Industrial automation
- Marine
- Agriculture
- Steel fabrication
- Mud pumping
- Pulp and paper
- Pneumatic

### SPECIFICATIONS

Seal type				
Threaded with replaceable diaphragm. Flanged available on request.				
Instruments	Type	Size	Minimum Pressure	Maximum Pressure
	Gauges	2-1/2 "to 6 "	0 psig to 30 psig	0 psig to 2,000 psig (10H - 5,000 psig)
	Transducers	-	0 psig to 30 psig	0 psig to 2,000 psig (10H - 5,000 psig)
	Switches	-	0 psig to 30 psig	0 psig to 2,000 psig (10H - 5,000 psig)
Upper housing	Type	Non-continuous duty (10H continuous duty)		
	Connections	1/4 "NPT, 1/2 "NPT		
	Materials	Polyurethane enamel coated steel, 316 Stainless steel		
Diaphragm	Size	3.0 " (Type 10), 2-1/2 " (Type 10H)		
	Displacement	3.2 ml (Type 10), 1.4 ml (Type 10H)		
	Materials	316 Stainless steel (Exotic materials available on request)		
O-rings	NBR, PTFE and FKM			
Lower housing	Connections	1/4 "NPT, 1/2 "NPT, 3/4 "NPT, 1 "NPT, 1-1/4 "NPT, 1-1/2 "NPT ASME flanges available on request		
	Materials	Polyurethane enamel coated steel and 316 Stainless steel (Exotic materials available on request)		
	Flushing port	Optional 1/8 "NPT, 1/4 "NPT and dual ports		
Bolting	Zinc-plated steel, optional Stainless steel			
Operating temperature	Operating temperature is determined by the temperature/pressure configuration. See the Material temperature table.			

ORDERING INFORMATION				
TYPES	10 (2,000 psi)	10H (5,000 psi)		
INSTRUMENT CONNECTION SIZES	02 1/4" NPT	04 1/2" NPT		
UPPER HOUSING MATERIALS	C Carbon steel	S 316 Stainless steel		
DIAPHRAGM MATERIALS	A Tantalum	M Monel 400	S 316 Stainless steel <sup>2</sup>	U Titanium Grade 4
	H Hastelloy C - 276	N Inconel 600	T PTFE <sup>1 4</sup>	V FKM <sup>3</sup>
O-RING MATERIALS	B NBR	T PTFE <sup>1</sup>	V FKM	
PROCESS CONNECTION SIZES	02 1/4" NPT	06 3/4" NPT	10 1-1/4" NPT	
	04 1/2" NPT	08 1" NPT	12 1-1/2" NPT	
	(ASME and DIN flanges available upon request)			
LOWER HOUSING MATERIALS	C Carbon steel	M Monel 400	S 316 Stainless steel	
	H Hastelloy C-276	N Inconel 600	U Titanium	
FLUSHING CONNECTIONS	1F 1/8" NPT	2F 1/4" NPT		

Please consult your local NOSHOK Distributor or NOSHOK, Inc. for availability and delivery information.

<sup>1</sup> Not available with 10H

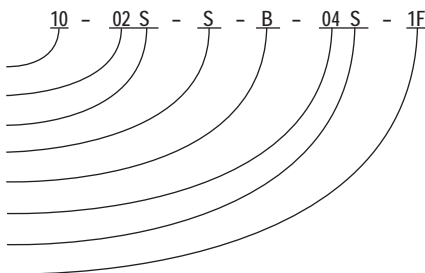
<sup>2</sup> NBR o-rings standard with 316SS diaphragm

<sup>3</sup> FKM o-rings standard with FKM diaphragm

<sup>4</sup> PTFE o-rings standard with all other diaphragms

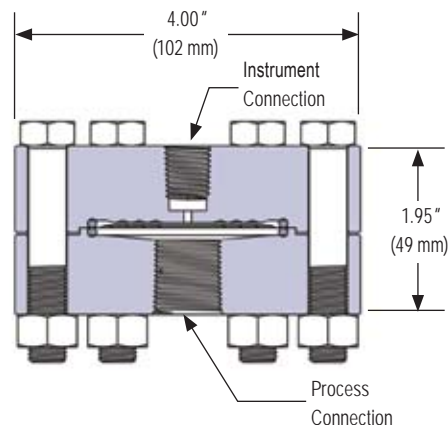
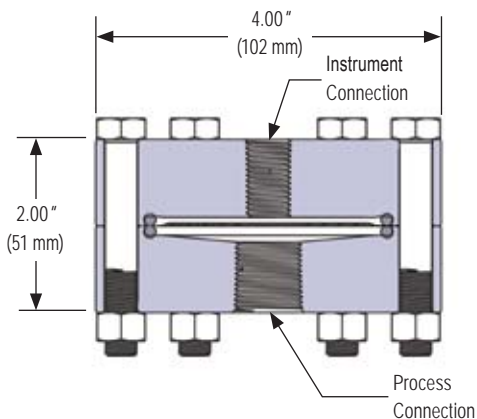
### EXAMPLE

Type .....10  
 Instrument connection size ..... 1/4" NPT  
 Upper housing material ..... 316 Stainless steel  
 Diaphragm material ..... 316 Stainless steel  
 O-ring material ..... NBR  
 Process connection size ..... 1/2" NPT  
 Lower housing material ..... 316 Stainless steel  
 Flushing connection (optional) ..... 1/8" NPT



Type 10 Standard Pressure

Type 10H Elevated Pressure



# Reduced Pressure, Non-Metallic Lower, Bolted

## TYPE 10L



- Intended for corrosive or viscous pressure media
- Designed for applications where typical metallic lower housings cannot withstand process media
- Can be used for remote mounting of pressure instrument(s) with capillary
- Utilizes a replaceable diaphragm clamped between the flanged housings with an o-ring seal to create a leak-free union
- Process connection sizes from 1/4" NPT through 1-1/2" NPT
- Consider instrument size, pressure range, media composition, ambient and operating temperature, and maximum working pressure when selecting
- Fill fluid must be compatible with process media; i.e. Glycerine may become volatile in conjunction with a strong oxidizing agent such as chlorine, forms of oxygen or peroxide and nitric acids

### APPLICATIONS

- Water and wastewater
- Oil and gas
- Petrochemical
- Chemical processing
- Industrial automation
- Marine
- Agriculture
- Steel fabrication
- Mud pumping
- Pulp and paper
- Pneumatic

### SPECIFICATIONS

Seal type	Threaded with replaceable diaphragm. Flanged available on request.			
Instruments	Type	Size	Minimum Pressure	Maximum Pressure
	Gauges	2-1/2" to 6"	0 psig to 30 psig	0 psig to 200 psig
	Transducers	-	0 psig to 30 psig	0 psig to 200 psig
	Switches	-	0 psig to 30 psig	0 psig to 200 psig
Upper housing	Type	Non-continuous duty		
	Connections	1/4" NPT, 1/2" NPT		
	Materials	Polyurethane enamel coated steel, 316 Stainless steel		
Diaphragm	Size	3.0"		
	Displacement	3.2 ml		
	Materials	316 Stainless steel, FKM, PTFE (Exotic materials available on request)		
O-rings	NBR, PTFE and FKM			
Lower housing	Connections	1/4" NPT, 1/2" NPT, 3/4" NPT, 1" NPT, 1-1/4" NPT, 1-1/2" NPT		
	Materials	PVDF, PP, PVC, PTFE (Other materials available on request)		
Bolting	Zinc-plated steel, optional stainless steel			
Operating temperature	Operating temperature is determined by the temperature/pressure configuration. See Material Temperature table.			

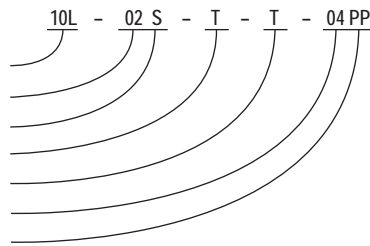
ORDERING INFORMATION				
TYPE	10L			
INSTRUMENT CONNECTION SIZES	02 1/4" NPT	04 1/2" NPT		
UPPER HOUSING MATERIALS	C Carbon steel	S 316 Stainless steel		
DIAPHRAGM MATERIALS	A Tantalum	M Monel 400	S 316 Stainless steel <sup>1</sup>	U Titanium Grade 4
	H Hastelloy C - 276	N Inconel 600	T PTFE <sup>3</sup>	V FKM <sup>2</sup>
O-RING MATERIALS	B NBR	T PTFE	V FKM	
PROCESS CONNECTION SIZES	02 1/4" NPT	06 3/4" NPT	10 1-1/4" NPT	12 1-1/2" NPT
	04 1/2" NPT	08 1" NPT		
	(ASME and DIN flanges available upon request)			
LOWER HOUSING MATERIALS	KN PVDF	PV PVC	TG PTFE (Glass filled)	
	PP PP	TC PTFE (Carbon filled)		

Please consult your local NOSHOK Distributor or NOSHOK, Inc. for availability and delivery information.

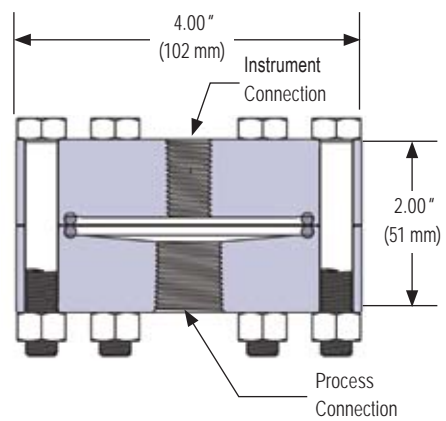
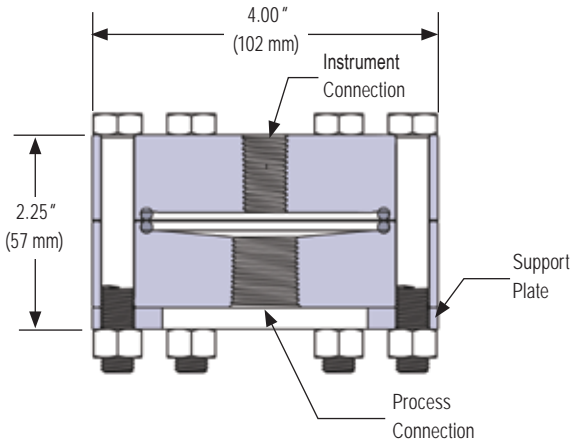
<sup>1</sup> NBR o-rings standard with 316SS diaphragm  
<sup>2</sup> FKM o-rings standard with FKM diaphragm  
<sup>3</sup> PTFE o-rings standard with all other diaphragms

**EXAMPLE**

Type ..... 10L  
 Instrument connection size ..... 1/4" NPT  
 Upper housing material ..... 316 Stainless steel  
 Diaphragm material ..... PTFE  
 O-ring material ..... PTFE  
 Process connection size ..... 1/2" NPT  
 Lower housing material ..... PP



**Type 10L PTFE (Carbon & Glass Filled)      Type 10L PVC / PP / PVDF**



# Flow-Through Annular Style



## TYPE 40

- Process liquid flowing through the pipe exerts pressure onto a flush-mounted flexible inner cylinder containing clean, captive liquid; completely isolating instrumentation from the process flow and preventing plugging
- Can be used for remote mounting of pressure instrument(s) with capillary
- Instrumentation can be removed for calibration, repair or replacement without interrupting the process flow
- Integral design prevents accidental breakage
- Can be used with a variety of process conditions in many applications
- Eliminates clogging typically associated with diaphragm seals used in viscous fluid applications which can lead to inaccurate pressure readings
- Assembly flanges ASME B16.1 Class 150, 2" to 20"

### APPLICATIONS

- Slurries
- Heavy sludges
- Chemical - synthetic polymers
- Diffusers - flow measurement
- Abrasive media

### SPECIFICATIONS

SPECIFICATIONS				
Seal type	Inline flanged with sleeve diaphragm			
Instruments	Type	Size	Minimum Pressure	Maximum Pressure
	Gauges	2-1/2" to 6"	0 psig to 30 psig	0 psig to 285 psig
	Transducers	-	0 psig to 30 psig	0 psig to 285 psig
	Switches	-	0 psig to 30 psig	0 psig to 285 psig
Upper housing	Type	Non-continuous duty		
	Connections	1/4" NPT, 1/2" NPT		
	Materials	Polyurethane enamel coated steel, 316 Stainless steel		
Diaphragm	Size	Sleeve style per ring size		
	Materials	NBR, FKM, EPDM, PTFE (Other materials available on request)		
Flange Materials	Connections	Flanged, Class 150, 2" through 20"		
	Materials	Polyurethane enamel coated steel, 316 Stainless steel		
Bolting	Zinc-plated steel, optional stainless steel			
Operating temperature	-30 °F to 140 °F, based on materials of construction and fill fluid			

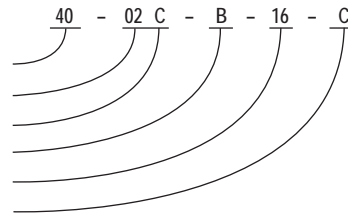


ORDERING INFORMATION				
TYPE	40 Annular ring	40BT Bolt-through		
INSTRUMENT CONNECTION SIZES	02 1/4" NPT	04 1/2" NPT		
HOUSING MATERIALS	C Carbon steel	S 316 Stainless steel		
DIAPHRAGM MATERIALS	B NBR	V FKM	T PTFE	E EPDM
PIPE SIZES	16 2" Pipe	40 5" Pipe	80 10" Pipe	128 16" Pipe
	24 3" Pipe	48 6" Pipe	96 12" Pipe	144 18" Pipe
	32 4" Pipe	64 8" Pipe	112 14" Pipe	160 20" Pipe
FLANGE MATERIALS	C Carbon steel	S 316 Stainless steel		

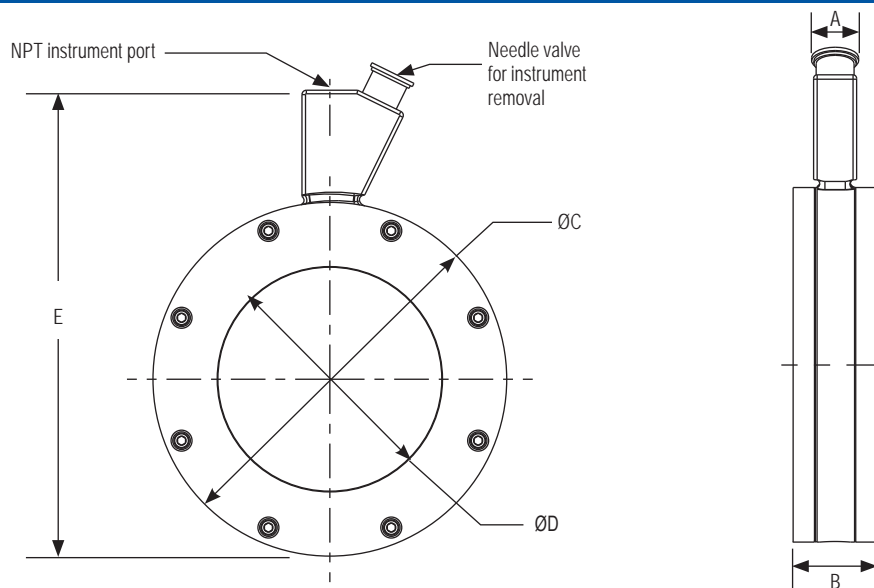
Please consult your local NOSHOK Distributor or NOSHOK, Inc. for availability and delivery information.

### EXAMPLE

Type ..... 40  
 Instrument connection size ..... 1/4" NPT  
 Housing material ..... Carbon steel  
 Diaphragm material ..... NBR  
 Pipe size ..... 2" pipe  
 Flange material ..... Carbon steel



### Type 40



NOMINAL PIPE SIZE											
	2"	3"	4"	5"	6"	8"	10"	12"	14"	16"	18"
A	0.76" (19 mm)	0.76" (19 mm)	0.76" (19 mm)	0.76" (19 mm)	0.76" (19 mm)	0.76" (19 mm)	0.76" (19 mm)	0.76" (19 mm)	0.76" (19 mm)	0.76" (19 mm)	0.76" (19 mm)
B	2" (51 mm)	2" (51 mm)	1-1/2" (38 mm)	1-1/2" (38 mm)	1-1/2" (38 mm)	1-1/2" (38 mm)	1-1/2" (38 mm)	1-3/4" (45 mm)	1-3/4" (45 mm)	1-3/4" (45 mm)	1-3/4" (45 mm)
C	4-7/32" (107 mm)	5-15/32" (139 mm)	6-9/32" (160 mm)	7-9/16" (192 mm)	8-7/16" (214 mm)	10-5/8" (270 mm)	12-13/16" (325 mm)	14-27/32" (377 mm)	17-13/64" (437 mm)	19-7/32" (488 mm)	21-1/2" (546 mm)
D	2" (51 mm)	3" (76 mm)	4" (102 mm)	5" (127 mm)	6" (152 mm)	8" (203 mm)	10" (254 mm)	12" (305 mm)	14" (356 mm)	16" (406 mm)	18" (457 mm)
E	7.18" (182 mm)	8.44" (214 mm)	9.27" (235 mm)	10.53" (267 mm)	11.40" (289 mm)	13.60" (345 mm)	15.77" (400 mm)	17.81" (452 mm)	20.17" (512 mm)	22.18" (563 mm)	24.47" (621 mm)

# All Non-Metallic



## TYPE 5

- For wastewater and chemical feed applications, as well as applications with corrosive media
- Constructed of corrosion-resistant PP glass fiber reinforced upper housing and PP, PVC or PVDF lower housing
- Protects pressure instruments used on ultra-pure or highly corrosive fluid lines such as demineralized water, sulfuric acid, hydrochloric acid, and caustics
- PTFE-coated EPDM diaphragms are standard on all assemblies
- 100% non-metallic wetted surfaces assures maximum chemical and temperature compatibility

### APPLICATIONS

- Wastewater and chemical feed
- Deionized water systems
- Reverse osmosis systems
- Desalination systems
- Electroplating

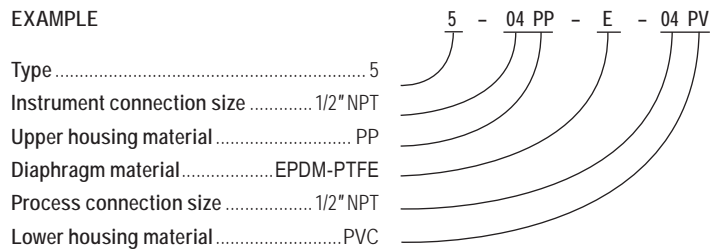
### SPECIFICATIONS

SPECIFICATIONS				
Seal type	Threaded with non-replaceable diaphragm			
Instruments	Type	Size	Minimum Pressure	Maximum Pressure
	Gauges	2-1/2" to 6"	0 psig to 30 psig	0 psig to 160 psig
	Transducers	-	0 psig to 30 psig	0 psig to 160 psig
	Switches	-	0 psig to 30 psig	0 psig to 160 psig
Upper housing	Type	Non-continuous duty		
	Connections	1/4" NPT, 1/2" NPT		
	Materials	PP, fiberglass reinforced		
Diaphragm	Size	1.77"		
	Displacement	8.9 ml		
	Materials	EPDM, PTFE-coated		
Lower housing	Connections	1/4" NPT or 1/2" NPT		
	Materials	PVC, PP or PVDF		
Operating temperature	Operating temperature is determined by the temperature/pressure configuration. See Material Temperature table.			

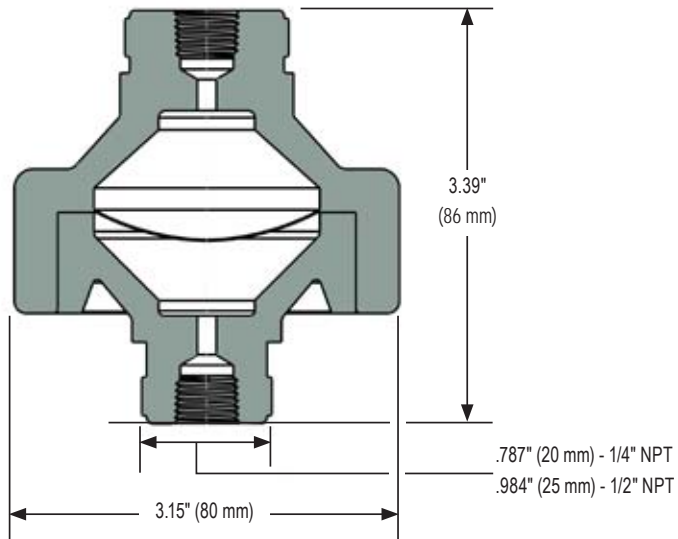
ORDERING INFORMATION			
TYPE	5		
INSTRUMENT CONNECTION SIZES	02 1/4" NPT	04 1/2" NPT	
UPPER HOUSING MATERIAL	PP PP		
DIAPHRAGM MATERIAL	E EPDM-PTFE coated on process side		
PROCESS CONNECTION SIZES	02 1/4" NPT	04 1/2" NPT	
LOWER HOUSING MATERIAL	PV PVC	PP PP	KN PVDF

Please consult your local NOSHOK Distributor or NOSHOK, Inc. for availability and delivery information.

EXAMPLE



Type 5



# Sanitary, Clamped-Style, ASME-BPE

## TYPE 12



- Features a flush mount diaphragm and all welded construction, ideal for food & beverage, pharmaceutical and sanitary markets
- Can be used for remote mounting of pressure instrument(s) with capillary
- Wetted parts and all welded housing are constructed of 316 stainless steel for greater strength and durability
- Accommodates process connection pipes from 1-1/2 "through 3 " sizes
- Clamped connection allows ease of installation and removal of seal for maintenance and cleaning
- Wetted materials polished to Ra 15 or better
- Consider instrument size, pressure range, media composition, ambient and operating temperature, and maximum working pressure when selecting
- Capillaries and cooling elements are available for elevated process temperatures, see page 24
- Fill fluid must be compatible with process media; i.e. Glycerine may become volatile in conjunction with a strong oxidizing agent such as chlorine, forms of oxygen or peroxide and nitric acids

### APPLICATIONS

- Water and wastewater
- Oil and gas
- Petrochemical
- Chemical processing
- Industrial automation
- Food and beverage
- Marine
- Agriculture
- Steel fabrication
- Mud pumping
- Pharmaceutical
- Pulp and paper
- Pneumatic

### SPECIFICATIONS

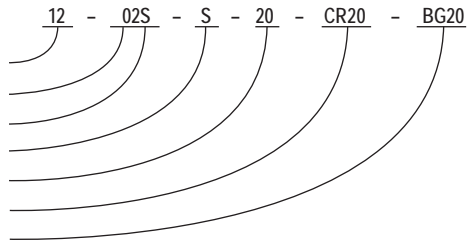
Seal type	Sanitary clamp, welded diaphragm				
Instruments	Type	Size	Minimum Pressure	Maximum Pressure	
	Gauges	2-1/2 "to 4 "	0 psig to 30 psig	Determined by the clamping device and piping system.	
	Transducers	-	0 psig to 30 psig		
Switches	-	0 psig to 30 psig			
Upper housing	Type	Continuous duty			
	Connections	1/4 "NPT, 1/2 "NPT			
	Materials	316 Stainless steel			
Diaphragm		1-1/2 "Pipe	2 "Pipe	2-1/2 "Pipe	3 "Pipe
	Size	1.4 "	1.9 "	2.4 "	2.9 "
	Displacement	190 mm <sup>3</sup>	490 mm <sup>3</sup>	850 mm <sup>3</sup>	1,670 mm <sup>3</sup>
	Material	316 Stainless steel			
Operating temperature	Operating temperature is determined by the temperature/pressure configuration. See Material Temperature table.				

ORDERING INFORMATION				
TYPE	12			
INSTRUMENT CONNECTION SIZES	02 1/4" NPT	04 1/2" NPT		
UPPER HOUSING MATERIAL	S 316 Stainless steel			
DIAPHRAGM MATERIAL	S 316 Stainless steel			
SANITARY PIPE SIZES	12 1-1/2"	16 2"	20 2-1/2"	24 3"
OPTIONAL SANITARY SEAL CLAMPS & GASKETS				
SS ASME-BPE CLAMPS	CR12 1-1/2"	CR16 2"	CR20 2-1/2"	CR24 3"
NBR GASKETS	BG12 1-1/2"	BG16 2"	BG20 2-1/2"	BG24 3"
PTFE GASKETS	TG12 1-1/2"	TG16 2"	TG20 2-1/2"	TG24 3"

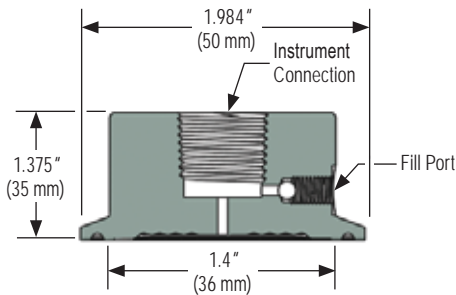
Please consult your local NOSHOK Distributor or NOSHOK, Inc. for availability and delivery information.

### EXAMPLE

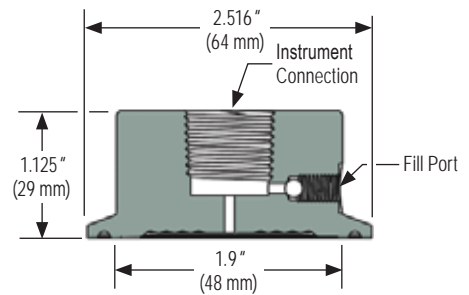
Type ..... 12  
 Instrument connection size ..... 1/4" NPT  
 Upper housing material ..... 316 Stainless steel  
 Diaphragm material ..... 316 Stainless steel  
 Sanitary pipe size ..... 2-1/2"  
 SS ASME-BPE clamp (optional) ..... 2-1/2" clamp  
 Gasket material (optional) ..... NBR



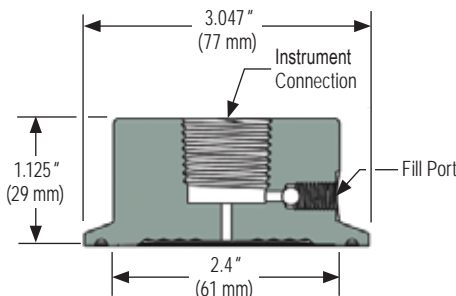
### 1-1/2" Nominal Pipe Size



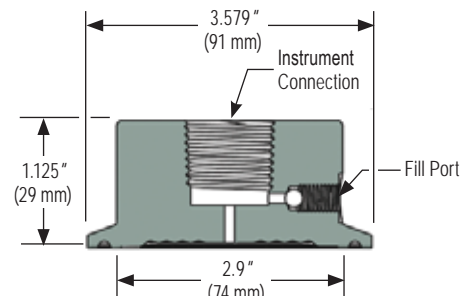
### 2" Nominal Pipe Size



### 2-1/2" Nominal Pipe Size



### 3" Nominal Pipe Size



# Front Flush

## TYPE 20



- Designed for applications requiring an NPT male threaded process connection and with a flush diaphragm
- Flush diaphragm construction prevents clogging and process material build-up
- Constructed with a 316 stainless steel housing and diaphragm for strength and durability
- Available instrument connection sizes are 1/4" and 1/2" with a process connection size of 1/2" NPT male to 2" NPT male
- Consider instrument size, pressure range, media composition, ambient and operating temperature, and maximum working pressure when selecting
- Capillaries and cooling elements are available for elevated process temperatures, see page 24
- Fill fluid must be compatible with process media; i.e. Glycerine may become volatile in conjunction with a strong oxidizing agent such as chlorine, forms of oxygen or peroxide and nitric acids

### APPLICATIONS

- Water and wastewater
- Oil and gas
- Petrochemical
- Chemical processing
- Industrial automation
- Marine
- Agriculture
- Steel fabrication
- Mud pumping
- Pharmaceutical
- Pulp and paper
- Pneumatic



Front flush diaphragm

### SPECIFICATIONS

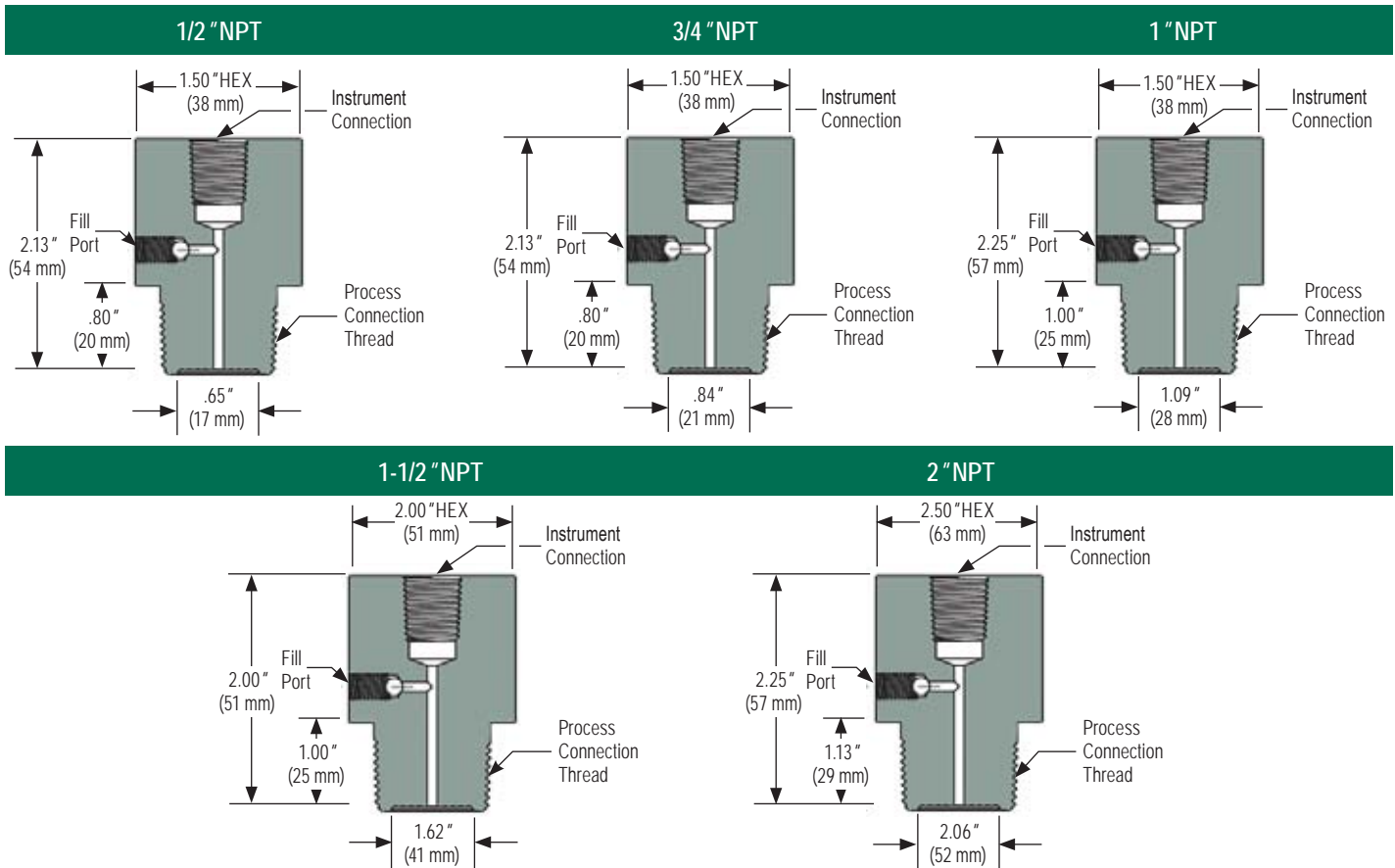
Seal type						
Sanitary clamp, welded diaphragm						
Instruments	Type	Size	Minimum Pressure	Maximum Pressure		
Seal Connection Size 1/2" NPT	Gauges	2-1/2"	0 psig to 1,500 psig	0 psig to 9,000 psig		
	Transducers	-	0 psig to 30 psig	0 psig to 9,000 psig		
	Switches	-	0 psig to 30 psig	0 psig to 9,000 psig		
Seal Connection Size 3/4" NPT	Gauges	2-1/2"	0 psig to 160 psig	0 psig to 9,000 psig		
	Gauges	4" to 4-1/2"	0 psig to 1,500 psig	0 psig to 9,000 psig		
	Transducers	-	0 psig to 30 psig	0 psig to 9,000 psig		
Seal Connection Size 1" NPT	Switches	-	0 psig to 30 psig	0 psig to 9,000 psig		
	Gauges	2-1/2"	0 psig to 160 psig	0 psig to 9,000 psig		
	Gauges	4" to 4-1/2"	0 psig to 1,000 psig	0 psig to 9,000 psig		
Upper Housing	Transducers	-	0 psig to 30 psig	0 psig to 9,000 psig		
	Switches	-	0 psig to 30 psig	0 psig to 9,000 psig		
	Type	Continuous duty				
Connections	1/4" NPT, 1/2" NPT					
Material	316 Stainless steel					
Diaphragm		1/2" NPT	3/4" NPT	1" NPT	1-1/2" NPT	2" NPT
	Size	0.7"	0.9"	1.0"	1.6"	2.0"
	Displacement	50 mm <sup>3</sup>	100 mm <sup>3</sup>	180 mm <sup>3</sup>	550 mm <sup>3</sup>	1,000 mm <sup>3</sup>
	Material	316 Stainless steel				
Operating temperature	Operating temperature is determined by the temperature/pressure configuration. See Material Temperature table.					

ORDERING INFORMATION			
TYPE	20		
INSTRUMENT CONNECTION SIZES	02 1/4" NPT	04 1/2" NPT	
HOUSING MATERIAL	S 316 Stainless steel		
DIAPHRAGM MATERIAL	S 316 Stainless steel		
PROCESS CONNECTION SIZES	04 1/2" NPT	08 1" NPT	16 2" NPT
	06 3/4" NPT	12 1-1/2" NPT	

Please consult your local NOSHOK Distributor or NOSHOK, Inc. for availability and delivery information.

### EXAMPLE

20 - 02 S - S - 06  
 Type ..... 20  
 Instrument connection size ..... 1/4" NPT  
 Housing material ..... 316 Stainless steel  
 Diaphragm material ..... 316 Stainless steel  
 Process connection size ..... 3/4" NPT



# Standard & Elevated Pressure

## TYPE 25/25H



- Designed to isolate the pressure measuring instrument from corrosive or viscous process media
- Utilize an all welded, all metallic housing design to eliminate potential leak paths
- For use with gauges with dial sizes of 2-1/2" and smaller, and pressure ranges no less than 100 psig
- Housing and diaphragm offered in a variety of materials to suit most applications
- A flushing port is available to clean wetted areas and prevent process media build up
- Consider instrument size, pressure range, media composition, ambient and operating temperature, and maximum working pressure when selecting
- Capillaries and cooling elements are available for elevated process temperatures, see page 24
- Fill fluid must be compatible with process media; i.e. Glycerine may become volatile in conjunction with a strong oxidizing agent such as chlorine, forms of oxygen or peroxide and nitric acids

### APPLICATIONS

- Water and wastewater
- Oil and gas
- Petrochemical
- Chemical processing
- Industrial automation
- Marine
- Agriculture
- Steel fabrication
- Mud pumping
- Pulp and paper
- Pneumatic

### SPECIFICATIONS

SPECIFICATIONS				
Seal type	Threaded with welded diaphragm			
Instruments	Type	Size	Minimum Pressure	Maximum Pressure
	Gauges	2-1/2"	0 psig to 100 psig	0 psig to 2,500 psig (25H - 5,000 psig)
	Transducers	-	0 psig to 60 psig	0 psig to 2,500 psig (25H - 5,000 psig)
	Switches	-	0 psig to 60 psig	0 psig to 2,500 psig (25H - 5,000 psig)
Upper housing	Type	Non-continuous duty		
	Connections	1/4" NPT, 1/2" NPT		
	Materials	316 Stainless steel		
Diaphragm	Size	1.28"		
	Displacement	400 mm <sup>3</sup>		
	Materials	316 Stainless steel (Exotic materials available on request)		
Lower housing	Connections	1/4" NPT, 1/2" NPT		
	Materials	316 Stainless steel (Exotic materials available on request)		
	Flushing port	Optional 1/8" NPT and 1/4" NPT		
Operating temperature	Operating temperature is determined by the temperature/pressure configuration. See Material Temperature table.			



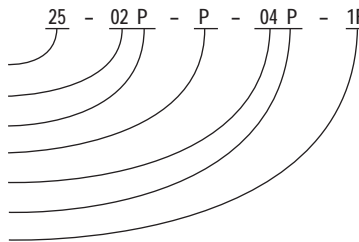
ORDERING INFORMATION				
TYPE	25 (2,500 psi)	25H (5,000 psi)		
INSTRUMENT CONNECTION SIZES	02 1/4" NPT	04 1/2" NPT		
UPPER HOUSING MATERIALS	M Monel 400	P Carpenter 20	S 316 Stainless steel	
DIAPHRAGM MATERIALS	H Hastelloy C-276	M Monel 400 <sup>1</sup>	P Carpenter 20 <sup>1</sup>	S 316 Stainless steel
PROCESS CONNECTION SIZES	02 1/4" NPT	04 1/2" NPT		
LOWER HOUSING MATERIALS	H Hastelloy C-276	M Monel 400	P Carpenter 20	S 316 Stainless steel
FLUSHING CONNECTIONS	1F 1/8" NPT	2F 1/4" NPT		

Please consult your local NOSHOK Distributor or NOSHOK, Inc. for availability and delivery information.

<sup>1</sup> When selecting a Monel or Carpenter 20 Diaphragm, the upper & lower housing must be the same material

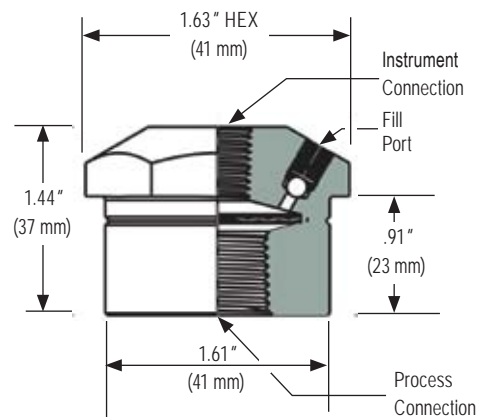
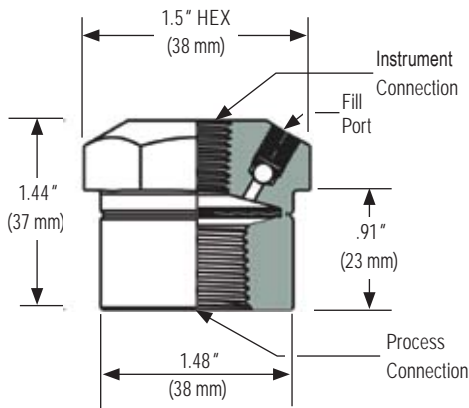
### EXAMPLE

Type ..... 25  
 Instrument connection size ..... 1/4" NPT  
 Upper housing material ..... Carpenter 20  
 Diaphragm material ..... Carpenter 20  
 Process connection size ..... 1/2" NPT  
 Lower housing material ..... Carpenter 20  
 Flushing connection (optional) ..... 1/8" NPT



### Type 25 Standard Pressure

### Type 25H Elevated Pressure



# Non-Replaceable Diaphragm High Volumetric Displacement

## TYPE 29



- An off-line seal with a threaded connection and all welded, all metallic housing design that does not utilize an o-ring or gasket
- Can be used for remote mounting of pressure instrument(s) with capillary
- Designed with a larger diameter diaphragm for higher displacement capability
- A variety of upper and lower housing and diaphragm materials are available to suit most applications
- A flushing port is available to clean wetted areas and prevent process media build up
- Consider instrument size, pressure range, media composition, ambient and operating temperature, and maximum working pressure when selecting
- Capillaries and cooling elements are available for elevated process temperatures, see page 24
- Fill fluid must be compatible with process media; i.e. Glycerine may become volatile in conjunction with a strong oxidizing agent such as chlorine, forms of oxygen or peroxide and nitric acids

### APPLICATIONS

- Water and wastewater
- Oil and gas
- Petrochemical
- Chemical processing
- Industrial automation
- Marine
- Agriculture
- Steel fabrication
- Mud pumping
- Pulp and paper
- Pneumatic

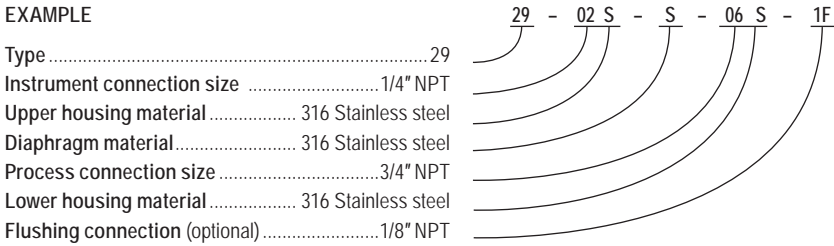
### SPECIFICATIONS

SPECIFICATIONS				
Seal type	Threaded with welded diaphragm.			
Instruments	Type	Size	Minimum Pressure	Maximum Pressure
	Gauges	2-1/2" to 4-1/2"	0 psig to 30 psig	0 psig to 2,500 psig
	Transducers	-	0 psig to 30 psig	0 psig to 2,500 psig
	Switches	-	0 psig to 30 psig	0 psig to 2,500 psig
Upper housing	Type	Continuous duty		
	Connections	1/4" NPT, 1/2" NPT		
	Materials	316 Stainless steel		
Diaphragm	Size	2.1"		
	Displacement	1.5 ml		
	Materials	316 Stainless steel (Exotic materials available on request)		
Lower housing	Connections	1/4" NPT, 1/2" NPT, 3/4" NPT, 1" NPT		
	Materials	316 Stainless steel (Exotic materials available on request)		
	Flushing port	Optional 1/8" NPT and 1/4" NPT		
Operating temperature	Operating temperature is determined by the temperature/pressure configuration. See Material Temperature table.			

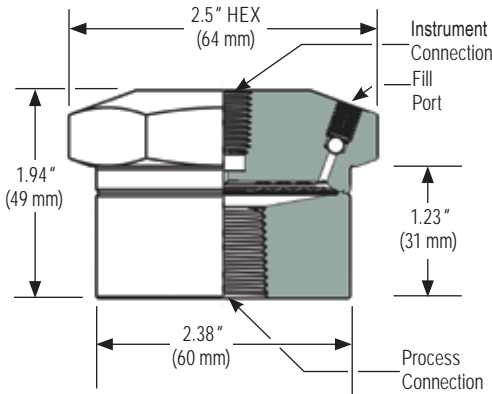
ORDERING INFORMATION			
TYPE	29		
INSTRUMENT CONNECTION SIZES	02 1/4" NPT	04 1/2" NPT	
UPPER HOUSING MATERIALS	M Monel 400	S 316 Stainless steel	P Carpenter 20
DIAPHRAGM MATERIALS	H Hastelloy C-276	P Carpenter 20 <sup>1</sup>	
	M Monel 400 <sup>1</sup>	S 316 Stainless steel	
PROCESS CONNECTION SIZES	02 1/4" NPT	06 3/4" NPT	
	04 1/2" NPT	08 1" NPT	
LOWER HOUSING MATERIALS	H Hastelloy C-276	P Carpenter 20	
	M Monel 400	S 316 Stainless steel	
FLUSHING CONNECTIONS	1F 1/8" NPT	2F 1/4" NPT	

Please consult your local NOSHOK Distributor or NOSHOK, Inc. for availability and delivery information.

<sup>1</sup> When selecting a Monel or Carpenter 20 Diaphragm, the upper & lower housing must be the same material



Type 29



# Standard & Elevated Pressure, Bolted

## TYPE 30/30H



- Utilizes an all metallic diaphragm welded to the upper housing to allow field replacement of the lower housing while maintaining continuity of the measuring system
- Can be used for remote mounting of pressure instrument(s) with capillary
- A wide variety of instrument and process connections are available
- A flushing port is available to clean wetted areas and prevent process media build up
- Consider instrument size, pressure range, media composition, ambient and operating temperature, and maximum working pressure when selecting
- Capillaries and cooling elements are available for elevated process temperatures, see page 24
- Fill fluid must be compatible with process media; i.e. Glycerine may become volatile in conjunction with a strong oxidizing agent such as chlorine, forms of oxygen or peroxide and nitric acids

### APPLICATIONS

- Water and wastewater
- Oil and gas
- Petrochemical
- Chemical processing
- Industrial automation
- Marine
- Agriculture
- Steel fabrication
- Mud pumping
- Pulp and paper
- Pneumatic

### SPECIFICATIONS

Seal type	Threaded with welded diaphragm (Flanged available on request)			
Instruments	Type	Size	Minimum Pressure	Maximum Pressure
	Gauges	2-1/2" to 6"	0 psig to 30 psig	0 psig to 2,500 psig (30H - 5,000 psig)
	Transducers	-	0 psig to 30 psig	0 psig to 2,500 psig (30H - 5,000 psig)
	Switches	-	0 psig to 30 psig	0 psig to 2,500 psig (30H - 5,000 psig)
Upper housing	Type	Continuous duty		
	Connections	1/4" NPT, 1/2" NPT		
	Materials	Polyurethane enamel coated steel, 316 Stainless steel		
Diaphragm	Size	2.4"		
	Displacement	1.5 ml		
	Materials	316 Stainless steel (Exotic materials available on request)		
Gaskets	Type 30	Klingsil C-440, PTFE and FKM		
	Type 30H	Silver-plated Stainless steel and silver-plated HC		
Lower housing	Connections	1/4" NPT, 1/2" NPT, 3/4" NPT, 1" NPT, 1-1/4" NPT and 1-1/2" NPT		
	Materials	Polyurethane enamel coated steel, 316 Stainless steel (Exotic materials available on request)		
	Flushing port	Optional 1/8" NPT, 1/4" NPT and dual ports		
Bolting	Zinc-plated steel, optional Stainless steel			
Operating temperature	Operating temperature is determined by the temperature/pressure configuration. See Material Temperature table.			

ORDERING INFORMATION				
TYPE	30 (2,500 psi)	30H (5,000 psi)		
INSTRUMENT CONNECTION SIZES	02 1/4" NPT	04 1/2" NPT		
UPPER HOUSING MATERIALS	C Carbon steel M Monel 400	P Carpenter 20 S 316 Stainless steel	U Titanium Grade 4	
DIAPHRAGM MATERIALS	A Tantalum H Hastelloy C-276	M Monel 400 <sup>1</sup> N Inconel 600	P Carpenter 20 <sup>1</sup> S 316 Stainless steel	U Titanium Grade 4 <sup>1</sup>
SEAL GASKET MATERIALS	H Silver-plated HC (5,000 psi) R Klingsil C-4401 (Rated to 1,500 psi)	S Silver-plated SS (5,000 psi) T PTFE	V FKM	
PROCESS CONNECTION SIZES	02 1/4" NPT 04 1/2" NPT (ASME and DIN Flanges Available Upon Request)	06 3/4" NPT 08 1" NPT	10 1-1/4" NPT 12 1-1/2" NPT	
LOWER HOUSING MATERIALS	C Carbon Steel H Hastelloy C-276	M Monel 400 N Inconel 600	P Carpenter 20 S 316 Stainless Steel	U Titanium Grade 4
FLUSHING CONNECTIONS	1F 1/8" NPT	2F 1/4" NPT		

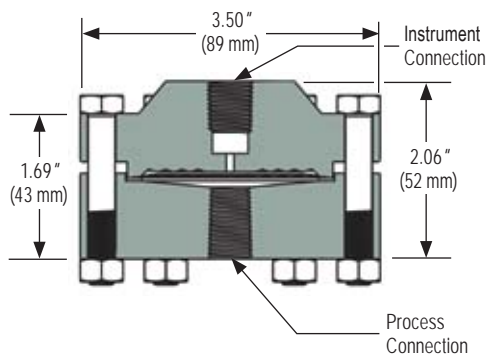
Please consult your local NOSHOK Distributor or NOSHOK, Inc. for availability and delivery information.

<sup>1</sup> When selecting a Monel 400, Carpenter 20 or Titanium Grade 4 Diaphragm, the upper housing must be the same material

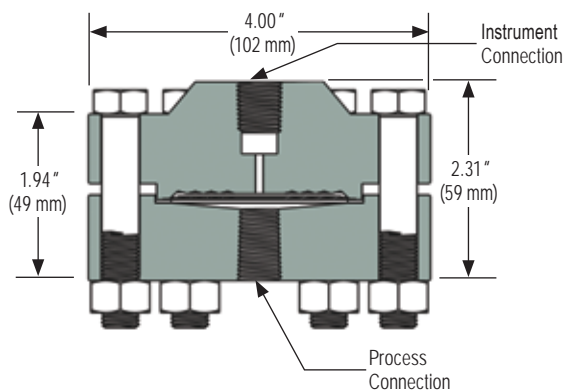
### EXAMPLE

Type .....	30	30 - 04 S - S - R - 04 S - 1F
Instrument connection size .....	1/2" NPT	
Upper housing material .....	316 Stainless steel	
Diaphragm material .....	316 Stainless steel	
Seal gasket material .....	Klingsil C-4401	
Process connection size .....	1/2" NPT	
Lower housing material .....	316 Stainless steel	
Flushing connection (optional) .....	1/8" NPT	

### Type 30 Standard Pressure



### Type 30H Elevated Pressure



# Reduced Pressure, Non-Metallic Lower, Bolted

## TYPE 30L



- Designed for applications where typical metallic lower housings cannot withstand process media
- Can be used for remote mounting of pressure instrument(s) with capillary
- Utilizes an all metallic diaphragm welded to the upper housing to allow replacement of the non-metallic lower housing while maintaining continuity of the measuring system
- Consider instrument size, pressure range, media composition, ambient and operating temperature, and maximum working pressure when selecting
- Fill fluid must be compatible with process media; i.e. Glycerine may become volatile in conjunction with a strong oxidizing agent such as chlorine, forms of oxygen or peroxide and nitric acids

### APPLICATIONS

- Water and wastewater
- Oil and gas
- Petrochemical
- Chemical processing
- Industrial automation
- Marine
- Agriculture
- Steel fabrication
- Mud pumping
- Pulp and paper
- Pneumatic

### SPECIFICATIONS

SPECIFICATIONS				
Seal type	Threaded with welded diaphragm (Flanged available on request)			
Instruments	Type	Size	Minimum Pressure	Maximum Pressure
	Gauges	2-1/2" to 6"	0 psig to 30 psig	0 psig to 200 psig
	Transducers	-	0 psig to 30 psig	0 psig to 200 psig
	Switches	-	0 psig to 30 psig	0 psig to 200 psig
Upper housing	Type	Continuous duty		
	Connections	1/4" NPT, 1/2" NPT		
	Materials	Polyurethane enamel coated steel, 316 Stainless steel		
Diaphragm	Size	2.4"		
	Displacement	1.5 ml		
	Materials	316 Stainless steel, FKM, PTFE (Exotic materials available on request)		
Gasket	NBR, PTFE and FKM			
Lower housing	Connections	1/4" NPT, 1/2" NPT, 3/4" NPT, 1" NPT, 1-1/4" NPT and 1-1/2" NPT		
	Materials	PVDF, PP, PVC, PTFE (Other materials available on request)		
Bolting	Zinc-plated steel, optional Stainless steel			
Operating temperature	Operating temperature is determined by the temperature/pressure configuration. See Material Temperature table.			

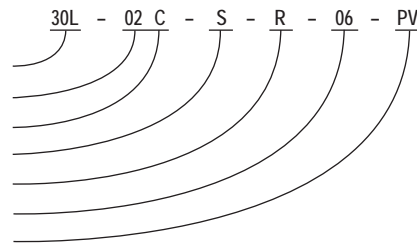
ORDERING INFORMATION				
TYPE	30L			
INSTRUMENT CONNECTION SIZES	02 1/4" NPT	04 1/2" NPT		
UPPER HOUSING MATERIALS	C Carbon steel M Monel 400	P Carpenter 20 S 316 Stainless steel	U Titanium Grade 4	
DIAPHRAGM MATERIALS	A Tantalum H Hastelloy C-276	M Monel 400 <sup>1</sup> N Inconel 600	P Carpenter 20 <sup>1</sup> S 316 Stainless steel	U Titanium Grade 4 <sup>1</sup>
SEAL GASKET MATERIALS	R Klingsil C-4401	T PTFE	V FKM	
PROCESS CONNECTION SIZES	02 1/4" NPT 04 1/2" NPT (ASME and DIN flanges available upon request)	06 3/4" NPT 08 1" NPT	10 1-1/4" NPT 12 1-1/2" NPT	
LOWER HOUSING MATERIALS	KN PVDF PP PP	PV PVC TC PTFE (carbon filled)	TG PTFE (glass filled)	

Please consult your local NOSHOK Distributor or NOSHOK, Inc. for availability and delivery information.

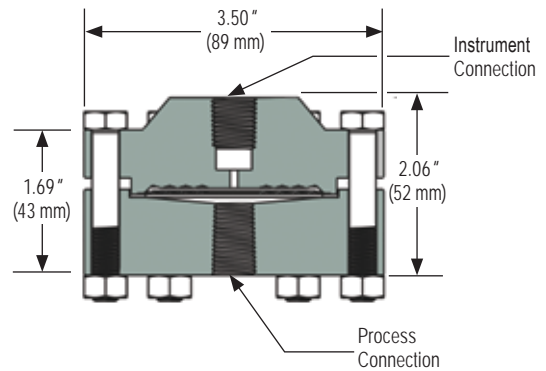
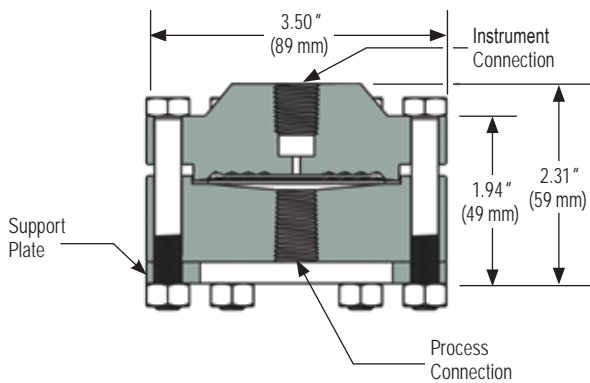
<sup>1</sup> When selecting a Monel 400, Carpenter 20 or Titanium Grade 4 diaphragm, the upper housing must be the same material

### EXAMPLE

Type .....30L  
 Instrument connection size .....1/4" NPT  
 Upper housing material ..... Carbon steel  
 Diaphragm material .....316 Stainless steel  
 Seal gasket material .....Klingsil C-4401  
 Process connection size .....3/4" NPT  
 Lower housing material .....PVC



## Type 30L PTFE Carbon / PTFE Glass Type 30L PVC / PP / PVDF



# Accessories

## PLAIN AND ARMORED CAPILLARIES

- Stainless steel capillaries available with or without stainless steel armor
- Protects the instrument from high or low process temperatures
- Allows remote mounting of pressure instrument(s)
- Select the shortest capillary length possible, as changes in ambient temperature conditions may significantly affect the accuracy and response time of the instrument
- Standard length 5', others available
- Installation on analog gauges requires a gauge support and gauge adaptor, or other surface mounting provisions
- Any level difference between the instrument and the seal will result in a pressure indication error; make sure to compensate for the level difference during calibration of the diaphragm seal assembly if the level difference is known



## COOLING ELEMENTS

- Works in combination with diaphragm seal to isolate instrument from high media temperatures
- Recommended for process temperatures above 212 °F
- Requires direct mounted system
- Effective temperature reductions of 200 °F depending upon ambient conditions
- High >212 °F process temperature, low < -40 °F process temperature
- All stainless steel construction



## SANITARY CLAMPS AND GASKETS

- Clamp-style fittings are constructed of T304 stainless steel; T316 stainless steel on request
- Double hinge design for easy installation and removal
- Available in sizes from 3/4" to 4"
- Standard pressure rating of 500 psi at 70 °F (21 °C); up to 3,000 psi rating on request
- Clamp gaskets are available in NBR, EPDM, PTFE and FKM
- All clamps and gaskets meet FDA and 3A sanitary standards



NOSHOK Flexible Capillaries	Part Number
5' SS armored capillary 1/4" NPT	AC-02-02-5
Custom length per foot	AC-02-02-#
5' SS armored capillary 1/2" NPT	AC-04-04-5
Custom length per foot	AC-04-04-#
5' SS plain capillary 1/4" NPT	PC-02-02-5
Custom length per foot	PC-02-02-#
5' SS plain capillary 1/2" NPT	PC-04-04-5
Custom length per foot	PC-04-04-#

NOSHOK Cooling Element	Part Number
1/4" NPT x 1/4" NPT, 4.68"	1/4-NPT-Cooling-Element
1/2" NPT x 1/2" NPT, 4.68"	1/2-NPT-Cooling-Element

NOSHOK Sanitary Clamps and Gaskets	Part Number
<b>ASME-BPE Sanitary Clamp</b>	
1-1/2" Tube OD	CR-12
2" Tube OD	CR-16
2-1/2" Tube OD	CR-20
3" Tube OD	CR-24
<b>NBR Gasket</b>	
1-1/2" Tube OD	BG-12
2" Tube OD	BG-16
2-1/2" Tube OD	BG-20
3" Tube OD	BG-24
<b>PTFE Gasket</b>	
1-1/2" Tube OD	TG-12
2" Tube OD	TG-16
2-1/2" Tube OD	TG-20
3" Tube OD	TG-24



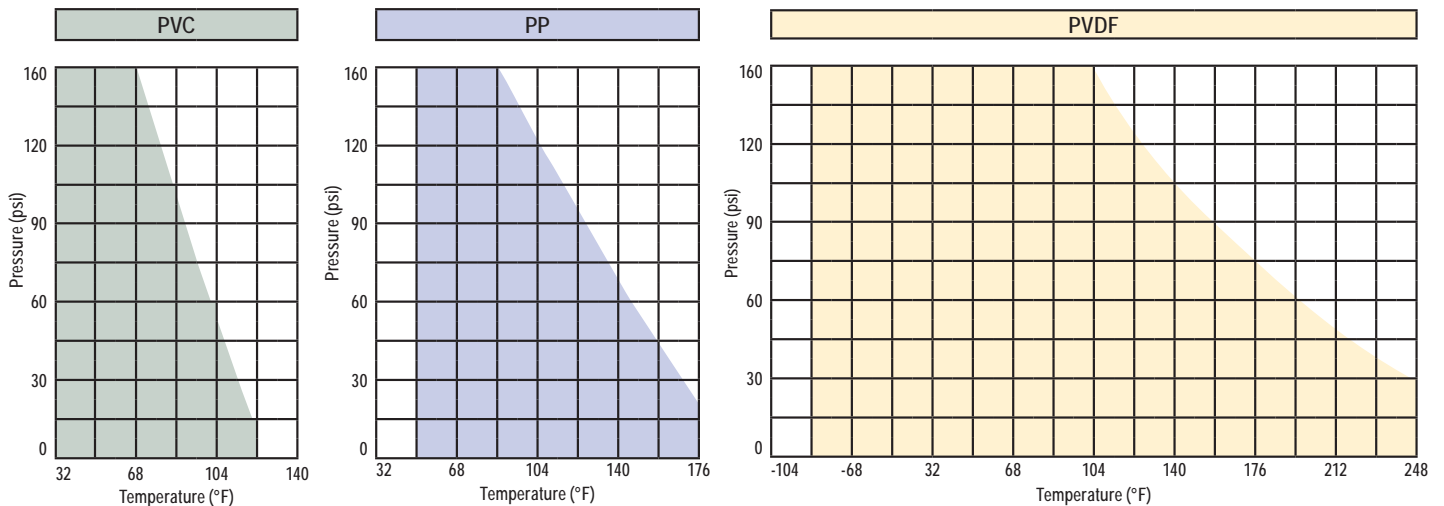
## Fill Fluid Temperature Table

Recommended Temperature Range				
Fill Fluid	Viscosity (cSt)	Vacuum/Compound	Pressure	$E_l$ (1/°F)
Glycerine (99.7%)	1,110	N/A	60 °F to 462 °F	0.000294
Silicone 200	5	-130 °F to 176 °F	-130 °F to 356 °F	0.000588
Silicone 200	50	-4 °F to 250 °F	-4 °F to 392 °F	0.000582
Silicone 200, Food Grade	350	N/A	0 °F to 572 °F	0.000533
Silicone 510	50	-60 °F to 250 °F	-60 °F to 400 °F	0.000533
Silicone 550	125	-40 °F to 325 °F	-40 °F to 450 °F	0.000520
Silicone 710	500	0 °F to 348 °F	0 °F to 500 °F	0.000430
Halocarbon 4.2 Oil	4	-40 °F to 176 °F	-40 °F to 347 °F	0.000565
Syltherm 800	9	4 °F to 392 °F	-40 °F to 750 °F	0.000962
Mineral Oil	57	-4 °F to 338 °F	-4 °F to 482 °F	0.000356
Neobee M-20	10	-10 °F to 200 °F	-10 °F to 400 °F	0.000511

## Material Temperature Table

Material	Pressure Limit	Temperature Limit
O-Ring Temperature Limits		
NBR	—	-40 °F to 250 °F
PTFE	—	-40 °F to 400 °F
FKM	—	-10 °F to 400 °F
Diaphragm Pressure and Temperature Limits		
PTFE	2,000 psi	-40 °F to 400 °F
FKM	2,000 psi	-10 °F to 400 °F
Metallic diaphragms determined by pressure range of seal type, restricted to temperature range of fill fluid.		
Bottom Housing Material Maximum Pressure & Temperature Limits		
TG, TC	200 psi	150 °F
PVDF	200 psi	180 °F
PVC	200 psi	74 °F
PVC	125 psi	125 °F
PVC	80 psi	150 °F
PP	200 psi	140 °F
Metallic lower housings determined by pressure range of seal type, restricted to temperature range of fill fluid.		

## Type 5 Diaphragm Seal Pressure/Temperature Diagrams



These values are a guide for harmless media against which the material of the seal is resistant.

Durability of wear and tear parts is depending on the operating conditions of the application. Values below 32 °F (PP < 50 °F) on request with exact data of operation.

## Diaphragm Seals Thermal Error Calculations - Types 10, 25, 25H, 30

Three major factors contribute to thermal error:

- 1) Type of fill fluid used
- 2) Fill fluid volume
- 3) Diaphragm flexibility

The choice of fill fluid in Table I contributes directly to thermal errors in proportion to the coefficient of thermal expansion of the fluid. The resulting internal pressures produce adverse forces on the diaphragm which in turn are reflected in the pressure instrument.

The fill volumes in Table II & Table III contribute significantly to thermal errors. The greater the fill volume the greater volumetric expansion. Whenever possible, fill volumes should be minimized. If fill volumes cannot be adjusted, choose a fluid with the lowest coefficient of thermal expansion. The flexibility of the diaphragm is expressed as a spring rate (Table II). The smaller the diaphragm, the greater the spring rate. Any force used to move the diaphragm is considered an error because it subtracts from a direct reading of the pressure. Not only does it take more force to push a smaller diaphragm (spring bias), but high spring rates also reflect greater thermal errors when internal pressures push on it. It is desirable to have the lowest spring rate possible.

The thermal error (Err) can be expressed by the equations below. The first error formula (1) assumes a uniform gradual heating of the entire filled system. The second error formula (2) is used when the diaphragm, capillary and pressure instrument are at different temperatures and a thermal gradient exists.

Table I. Fill Fluid Expansion Factors

Recommended Temperature Range				
Fill Fluid	Viscosity (cSt)	Vacuum/Compound	Pressure	E <sub>t</sub> (1/°F)
Glycerine (99.7%)	1,110	N/A	60 °F to 462 °F	0.000294
Silicone 200	5	-130 °F to 176 °F	-130 °F to 356 °F	0.000588
Silicone 200	50	-4 °F to 250 °F	-4 °F to 392 °F	0.000582
Silicone 200, Food Grade	350	N/A	0 °F to 572 °F	0.000533
Silicone 510	50	-60 °F to 250 °F	-60 °F to 400 °F	0.000533
Silicone 550	125	-40 °F to 325 °F	-40 °F to 450 °F	0.000520
Silicone 710	500	0 °F to 348 °F	0 °F to 500 °F	0.000430
Halocarbon 4.2 Oil	4	-40 °F to 176 °F	-40 °F to 347 °F	0.000565
Syltherm 800	9	4 °F to 392 °F	-40 °F to 750 °F	0.000962
Mineral Oil	57	-4 °F to 338 °F	-4 °F to 482 °F	0.000356
Neobee M-20	10	-10 °F to 200 °F	-10 °F to 400 °F	0.000511

Table II. Diaphragm Spring Rates and Volumes

Diaphragm Diameter Inches	Applicable Type	R <sub>s</sub>	V <sub>s</sub>
1.28	25	10,000	0.19
	25H		0.12
2.10	29	2,600	0.85
2.40	30	800	0.18
3.00	10	240	0.48

Table III. Accessory Internal Volume

Component	Volume
Capillary (1)	0.053"/ft <sup>3</sup>
2" Nipple	0.024"/ft <sup>3</sup>
2" Nipple	0.048"/ft <sup>3</sup>

(1). Volume is based on capillary 1/8" (3.17 mm) O.D. x 0.025" (0.635 mm) wall

### Equation 1

$$\text{Err} = (T)(E_t)(R_s)(V_T) \text{ expressed in inches H}_2\text{O}$$

Where:

- T = The number of degrees of the temperature change (°F).
- E<sub>t</sub> = The coefficient of thermal expansion of the fill liquid (the volumetric change constant of the fill liquid per °F).
- R<sub>s</sub> = The spring rate of the process diaphragm (inches H<sub>2</sub>O pressure change/inch<sup>3</sup> of fill liquid volume change).
- V<sub>T</sub> = The total volume of the fill fluid in the diaphragm seal system (inches<sup>3</sup>).

### Equation 2

$$\text{Err} = [(T_s \times V_s) + (T_p \times V_p \times L) + (T_D \times V_D)] [E_t] [R_s] \text{ expressed in inches H}_2\text{O}$$

Where:

- V<sub>T</sub> = V<sub>s</sub> + V<sub>p</sub>L + V<sub>D</sub>
- V<sub>T</sub> = Total volume of filled system (inches<sup>3</sup>)
- V<sub>s</sub> = Volume of seal (inches<sup>3</sup>)
- V<sub>p</sub> = Volume of capillary (inches<sup>3</sup>/foot of length)
- V<sub>D</sub> = Volume of inst. device (inches<sup>3</sup>)
- L = Length of capillary (feet)
- T<sub>s</sub> = Change in temperature of liquid in seal (°F)
- T<sub>p</sub> = Change in temperature of liquid in capillary (°F)
- T<sub>D</sub> = Change in temperature of liquid in inst. device (°F)

In order to analyze the significance of these temperature induced errors, it is helpful to express the error as a % of measured span. This can easily be done by the following equation:

$$\text{Error \%} = \frac{\text{Err}}{\text{Measured Span (in inches H}_2\text{O)}} \times 100$$

TO DOWNLOAD OR ORDER OUR CATALOGS,  
VISIT [WWW.NOSHOK.COM](http://WWW.NOSHOK.COM)

# Quality Policy

NOSHOK is committed to providing a high degree of value and continually improving processes to improve customer satisfaction by focusing on customer requirements for the design, manufacture and distribution of pressure, temperature, and force measurement instruments along with needle and manifold valves.

All from world class technology.

Combined with real-world stamina.

The highest value with the industry's best warranty.

And all from a company with a 45+ year record of customer satisfaction.

All from your Single Source Instrumentation Company.



**Corporate Headquarters**

1010 West Bagley Road  
Berea, Ohio 44017  
Ph: 440.243.0888  
Fax: 440.243.3472  
E-mail: [noshok@noshok.com](mailto:noshok@noshok.com)  
Web: [www.noshok.com](http://www.noshok.com)

